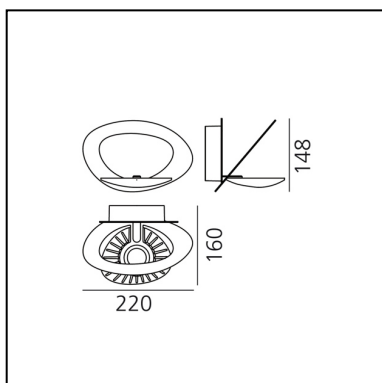


# Pirce Micro Wall - 3000K - White

Giuseppe Maurizio Scutellà



IP20     Dimmerable: 



## LUMINAIRE

- Watt: **27W**
- Voltage: **220V-240V**
- Delivered lumens output: **2768lm**
- CCT: **3000K**
- Efficiency: **97%**
- Efficacy: **102.52lm/W**
- CRI: **90**
- Dimmable Typology: **Push**

## DESCRIPTION

Pirce's award-winning design is one of Artemide's top sellers. Originally released in halogen, its light source has been reimagined to incorporate a high quality, energy-efficient LED light source.

Pirce is not only an elegant light source, it is an alluring decoration with a strong sense of presence turned on or off. Its slim disc merges softly into flowing twirls that spiral downwards to create alluring lighting effects.

**PRODUCT CODE: 1248010A**

## FEATURES

- Article Code: **1248010A**
- Colour: **White**
- Installation: **Wall**
- Material: **Aluminum**
- Series: **Design Collection**
- Environment: **Indoor**
- Area contract: **Residential**
- Emission: **Indirect**
- design by: **Giuseppe Maurizio Scutellà**

## DIMENSIONS

- Length: **cm 22**
- Width: **cm 16**
- Height: **cm 14.8**
- Glow Wire Test: **650°**

## SOURCES INCLUDED

- Category: **Led**
- Number: **1**
- Watt: **27W**
- Delivered lumens output: **3200lm**
- Color temperature (K): **3000K**
- CRI: **90**
- Color Tolerance: **MacAdam 2SDCM**